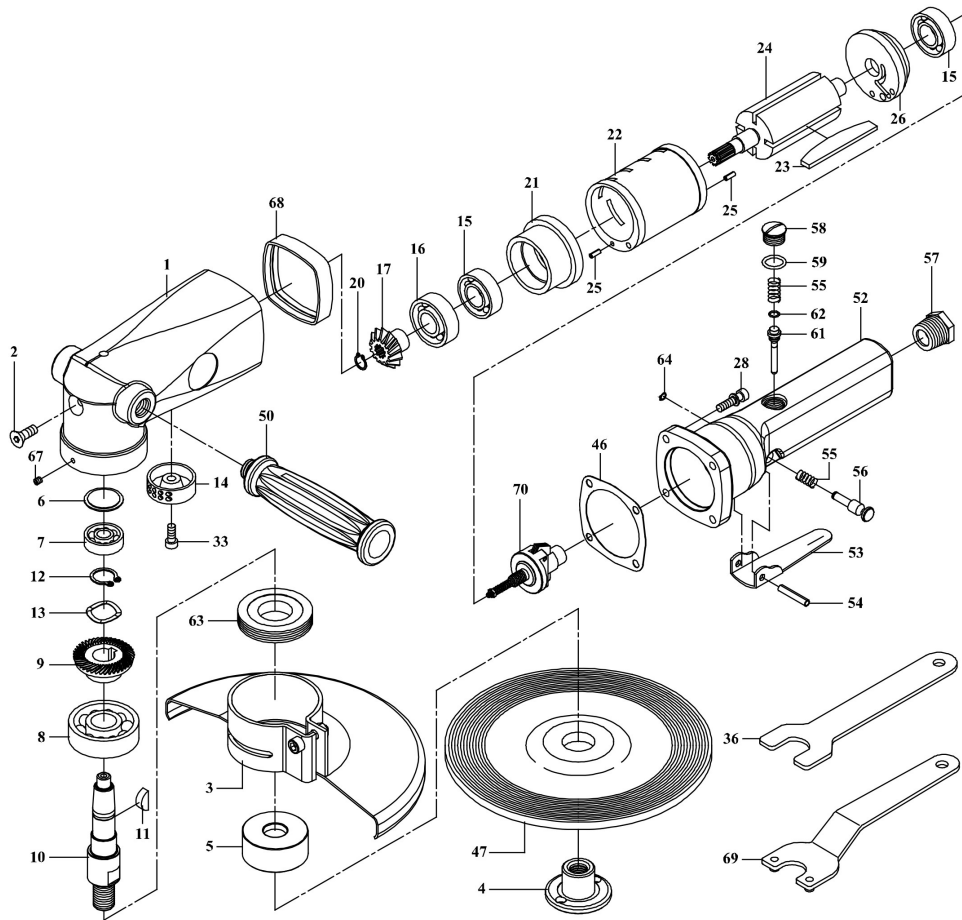


APT716 - 7" Angle Grinder



Ref	PCL Part No	Description	Qty
1	APS716/1	Body	1
2	APS716/2	Screw	1
3	APS716/3	Disc cover (M14)	1
4	APS716/4	Disc nut (M14)	1
5	APS716/5	Disc receiver (M14)	1
6	APS716/6	Spacer	1
7	APS716/7	Ball bearing	1
8	APS716/8	Ball bearing	1
9	APS716/BGR	Bevel gear	1
10	APS716/10	Gear shaft (M14)	1
11	APS716/11	Key	1
12	APS716/12	Retaining ring	1
13	APS716/13	Spring washer	1
14	APS716/14	Exhaust deflector	1
15	APS716/15	Ball bearing	2
16	APS716/16	Ball bearing	1
17	APS716/17	Bevel pinion	1
20	APS716/20	Retaining ring	1
21	APS716/21	Front plate	1
22	APS716/22	Cylinder	1
23	APS716/RBS	Rotor blades	4
24	APS716/24	Rotor	1
25	APS716/25	Spring pin	2

Ref	PCL Part No	Description	Qty
26	APS716/26	Rear plate	1
28	APS716/28	Cap screw	4
33	APS716/33	Screw	1
36	APS716/36	Stop spanner	1
46	APS716/GKT	Gasket	1
47	APS716/47	Disc wheel	1
50	APS716/50	Dead handle	1
52	APS716/52	Governor case	1
53	APS716/53	Lever	1
54	APS716/SPN2	Spring pin	1
55	APS716/55	Valve spring	2
56	APS716/56	Safe lever	1
57	APS716/57	Hose adaptor	1
58	APS716/58	Valve screw	1
59	APS716/59	O-ring	1
61	APS716/61	Valve pin	1
62	APS716/62	O-ring	1
63	APS716/63	Nut	1
64	APS716/64	Retaining ring	1
67	APS716/67	Screw	1
68	APS716/68	Rubber	1
69	APS716/69	Disc spanner	1
70	APS716/70	Governor assembly	1